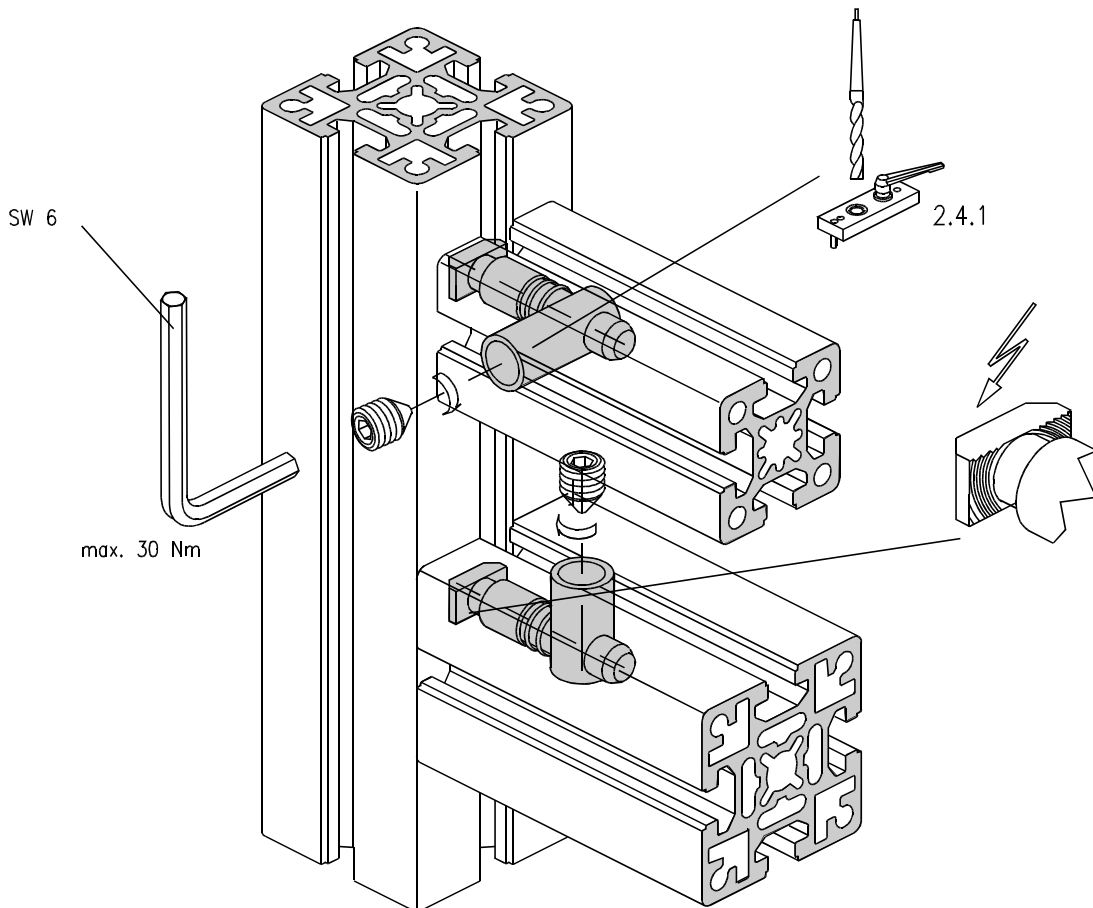
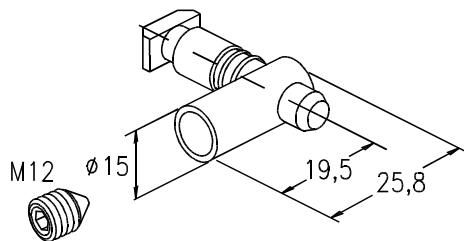


Standardverbinder
 Standard connectors
 Raccordement standard
 Raccordi standard
 Conexion standard

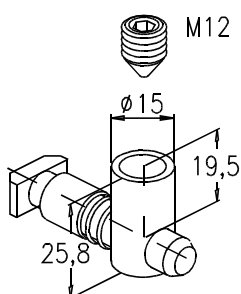


2



Verbindergrundtyp, rechtwinklig
 Right-angle connector
 Raccordement rectangulaire
 Raccordo di base rettangolare
 Conexion rectangular

1155

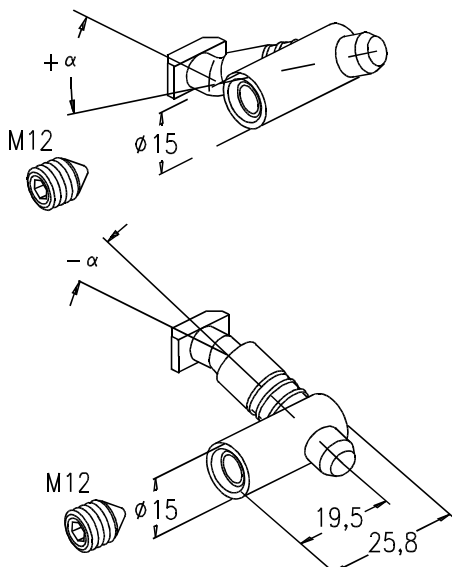
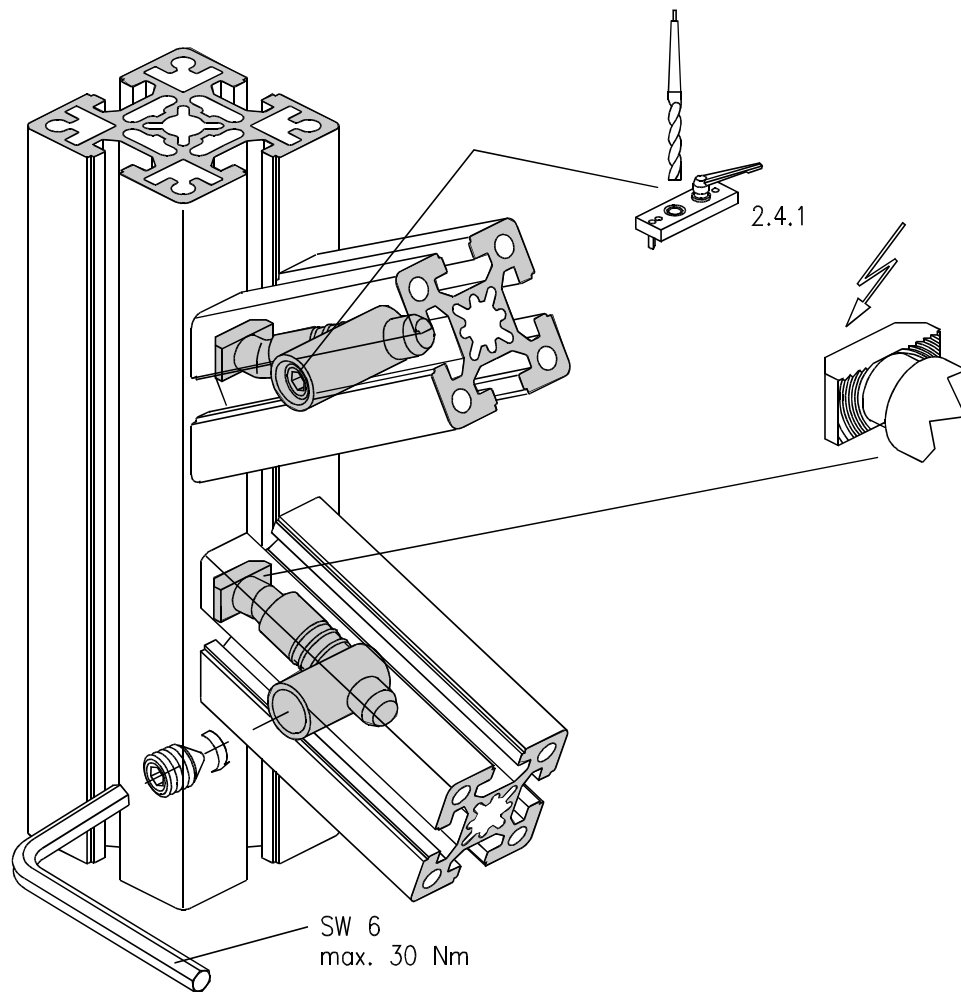


Verbindergrundtyp, T-Stück 90° verdreht
 Right-angle connector, "T"-head turned 90°
 Raccordement rectangulaire, tête en "T" tournant 90°
 Raccordo di base rettangolare, pezzo a "T" tornito a 90°
 Conexion rectangular, cabeza da "T" vuelta 90°

1156

Stahl verzinkt * galvanized steel * acier zingué
 acciaio zincato * acero cincado

Standardverbinder
 Standard connectors
 Raccordement standard
 Raccordi standard
 Conexion standard

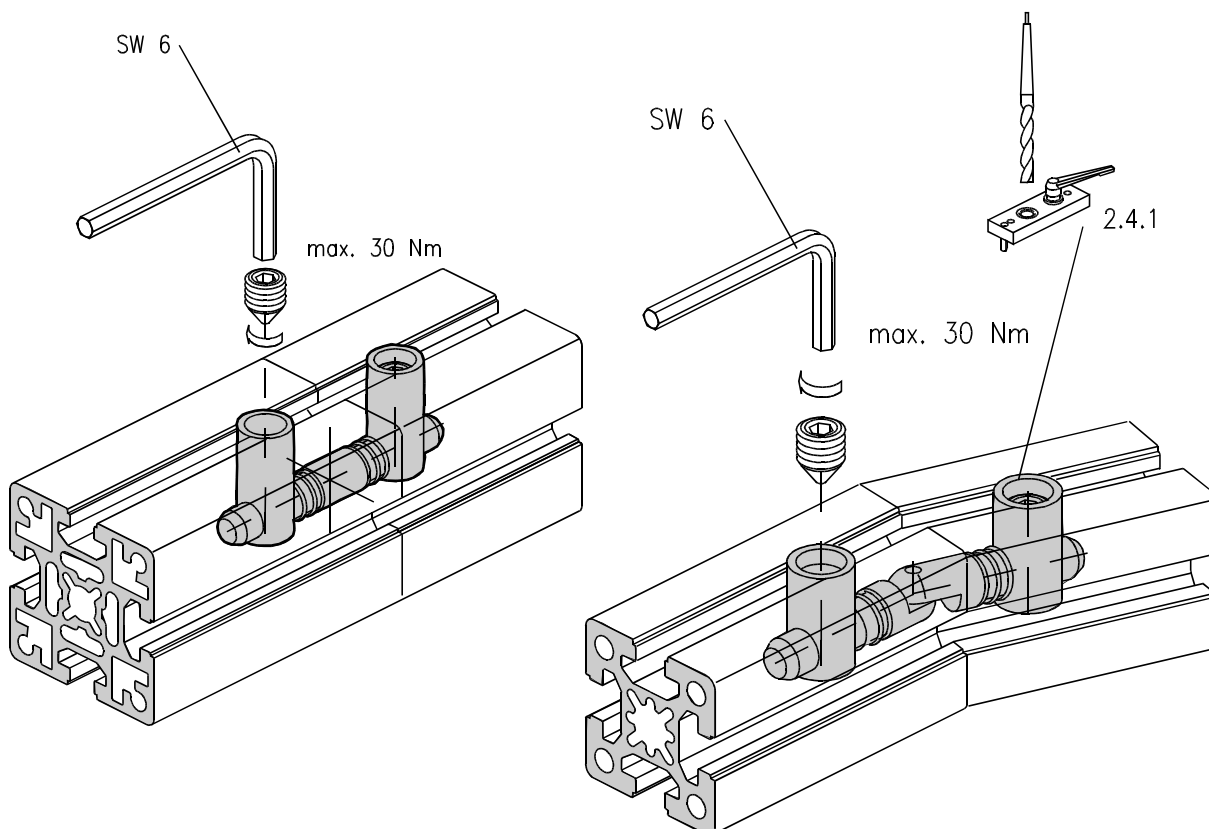


Schrägverbinder
 Angled connectors
 Raccordement imeliné
 Raccordo inclinati
 conexion inclinada

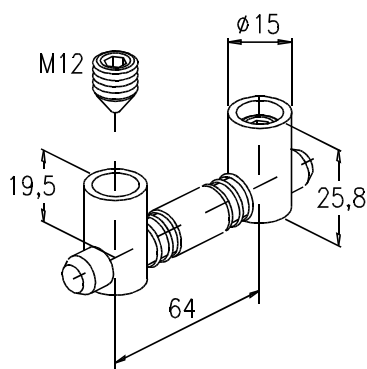
α +15°	1157
α +30°	1158
α +45°	1159
α -15°	1160
α -30°	1161
α -45°	1162

Stahl verzinkt * galvani ed steel * acier zingué
 acciaio zincato * acero cincado

Standardverbinder
 Standard connectors
 Raccordement standard
 Raccordi standard
 Conexion standard

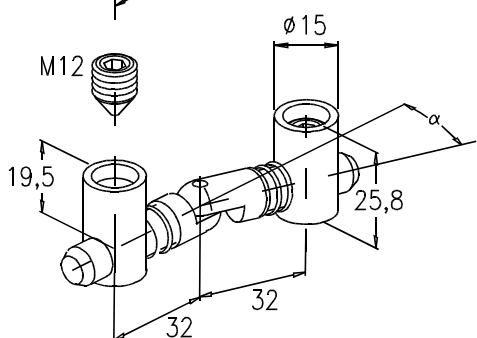


2



Profilverlängerung, gerade
 Extender, straight
 Rallonge droite
 Prolungamento del profilato destro
 Prolongacion derecho

1163

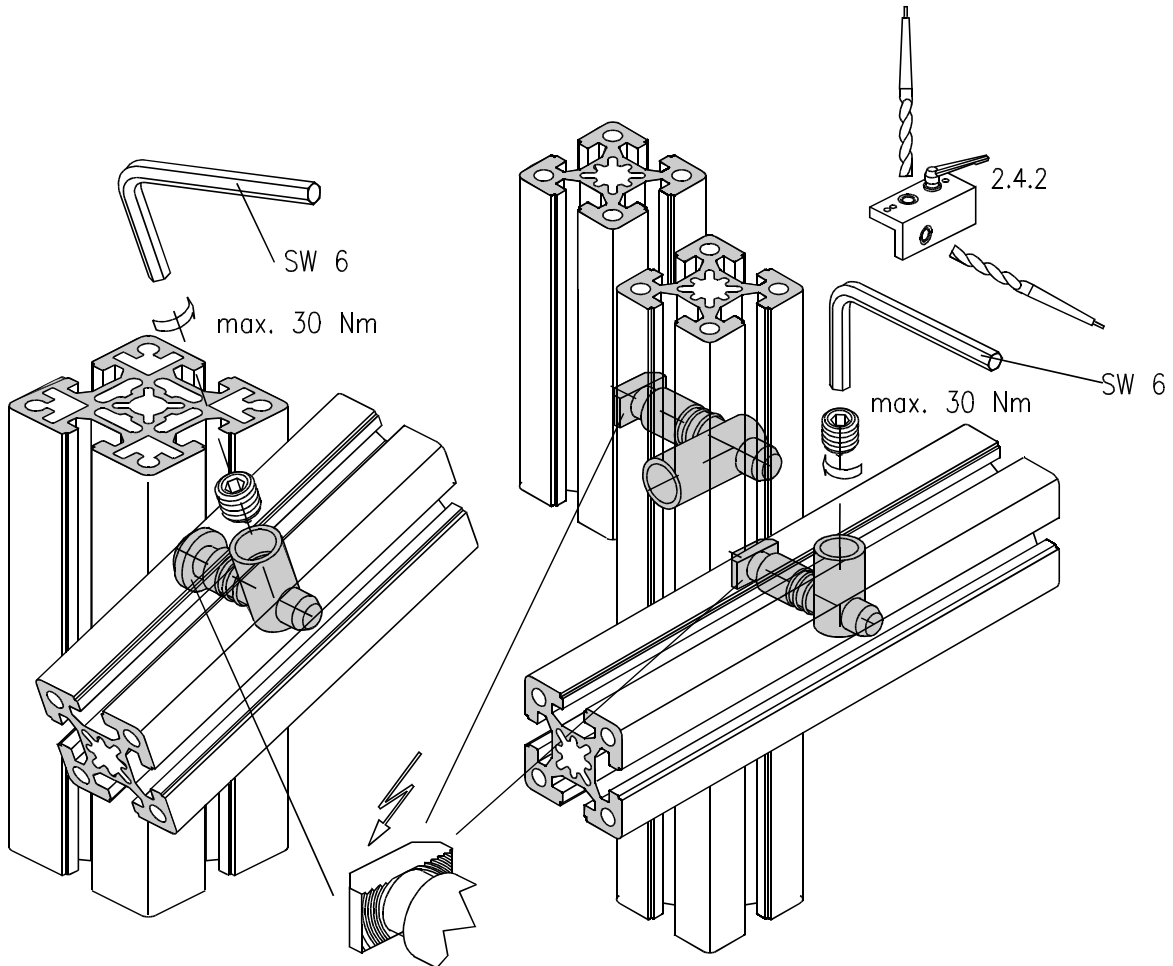


Profilverlängerung, variabel ($\alpha = 90^\circ - 270^\circ$)
 Extender, variable angles ($\alpha = 90^\circ - 270^\circ$)
 Rallonge a angles varies ($\alpha = 90^\circ - 270^\circ$)
 Prolungamento del profilato variabile angolo ($\alpha = 90^\circ - 270^\circ$)
 Prolongacion para angulos varios ($\alpha = 90^\circ - 270^\circ$)

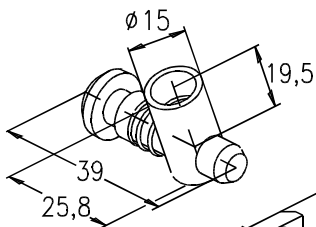
1164

Stahl verzinkt * galvanized steel * acier zingué
 acciaio zincato * acero cincado

Standardverbinder
 Standard connectors
 Raccordement standard
 Raccordi standard
 Conexion standard

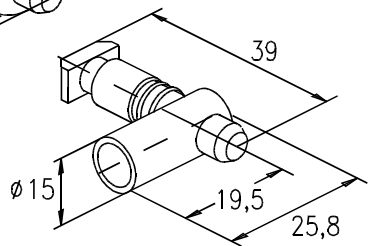


2



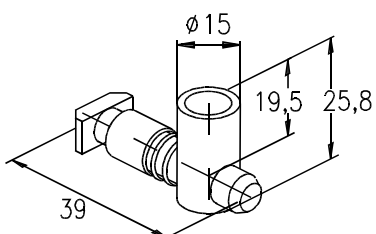
Parallelverbinder
 Parallel connector
 Raccordement parallèle
 Raccordo parallelo
 Conexion paralelo

1370



Parallelverbinder, T-Kopf
 Parallel connector, "T"-head
 Raccordement parallèle, tête en "T"
 Raccordo parallelo, pezzo a "T"
 Conexion paralelo, cabeza de "T"

1371

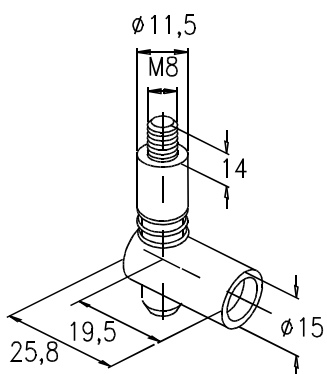
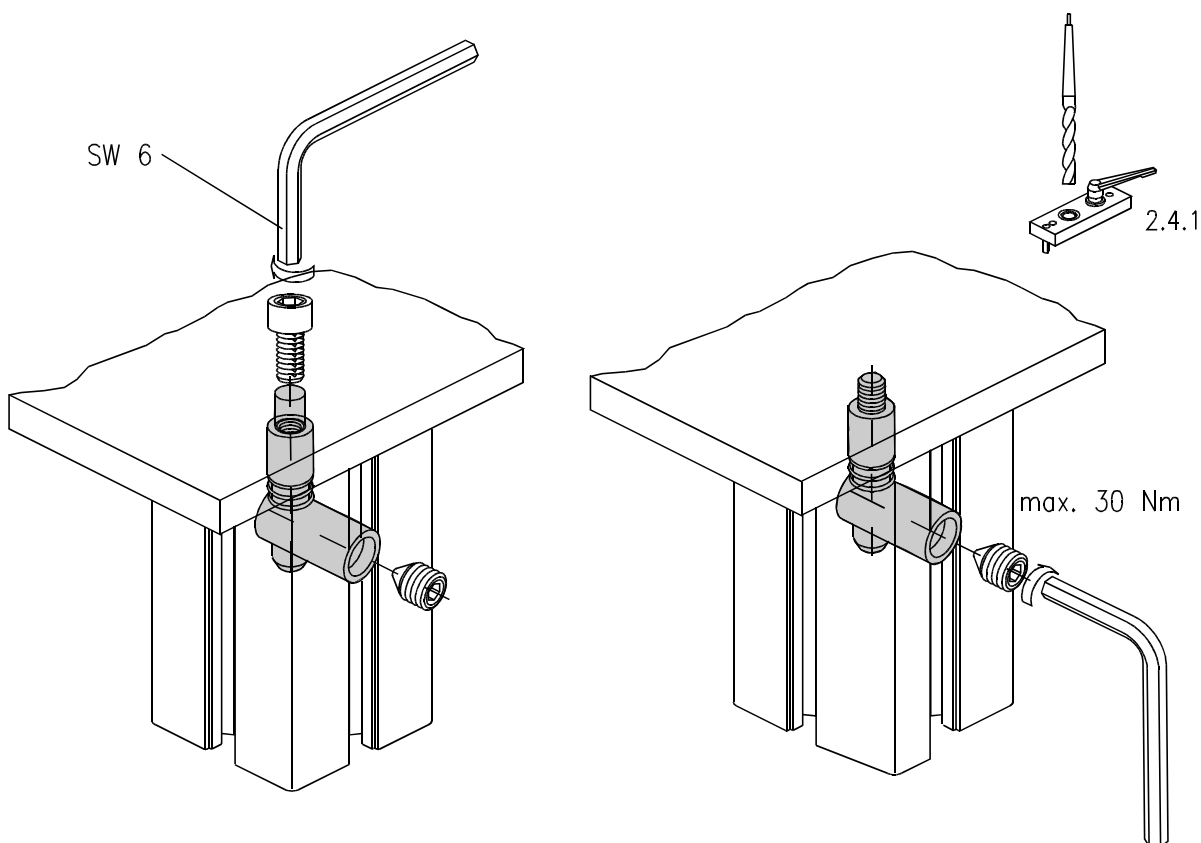


Parallelverbinder, T-Kopf 90° verdreht
 Parallel connector, "T"-head turned 90°
 Raccordement parallèle, tête en "T" tournant 90°
 Raccordo parallelo, pezzo a "T" tornito a 90°
 Conexion paralelo, cabeza de "T" vuelta 90°

1372

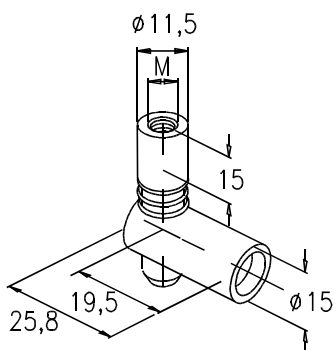
Stahl verzinkt * galvanized steel * acier zingué
 acciaio zincato * acero cincado

Standardverbinder
 Standard connectors
 Raccordement standard
 Raccordi standard
 Conexion standard



Aussengewinde-Verbinder
 Connector with outside thread
 Raccordement avec filet extérieur
 Raccordo con filettatura esterna
 Conexion con rosca exterior

M8 1166



Innengewinde-Verbinder
 Connector with inside thread
 Raccordement avec filet intérieur
 Raccordo con filettatura interna
 Conexion con rosca interior

M6 1167

M8 1168

M10 1169

Stahl verzinkt * galvanized steel * acier zingué
 acciaio zincato * acero cincado