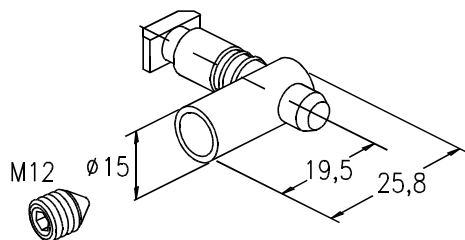
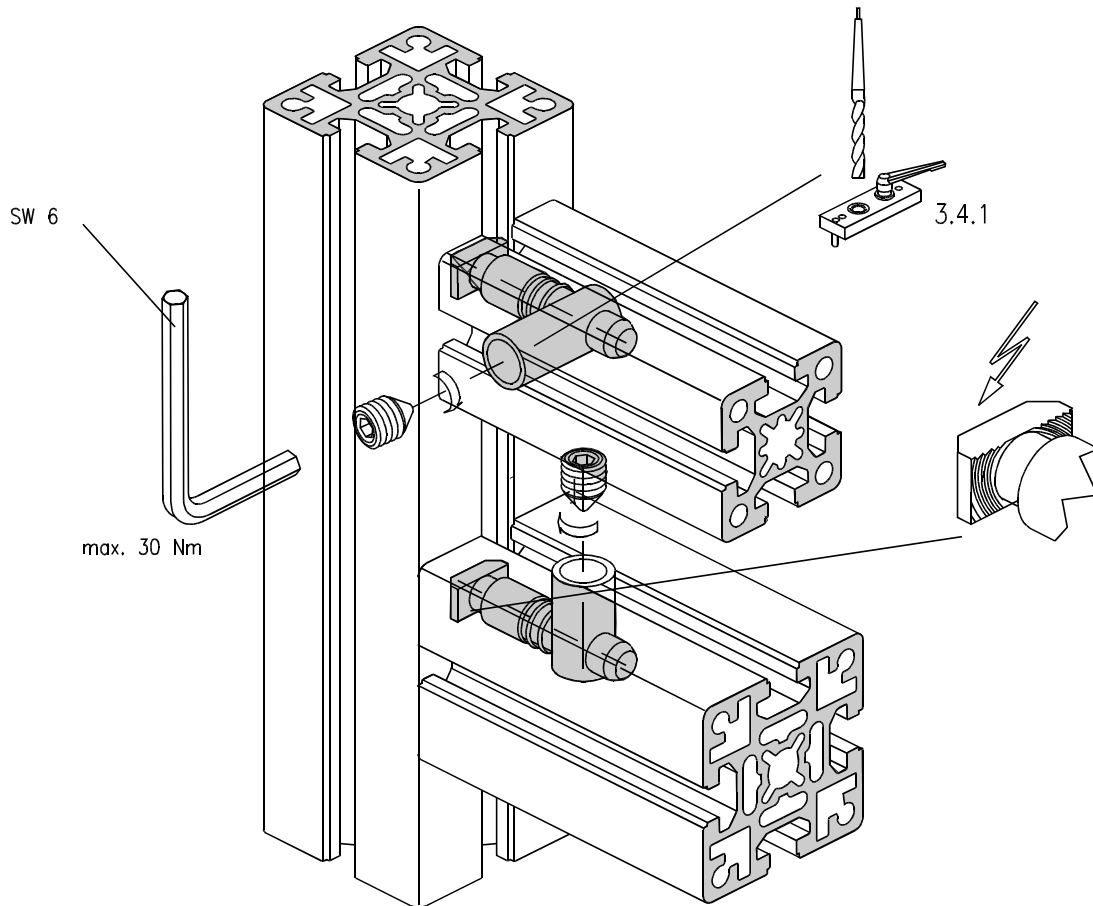
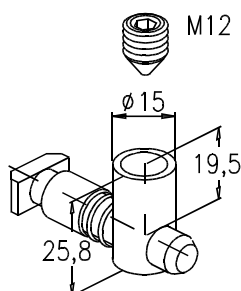


Standardverbinder  
 Standard connectors  
 Raccordement standard  
 Raccordi standard  
 Conexion standard



Verbindergrundtyp, rechtwinklig  
 Right-angle connector  
 Raccordement rectangulaire  
 Raccordo di base rettangolare  
 Conexion rectangular

1155

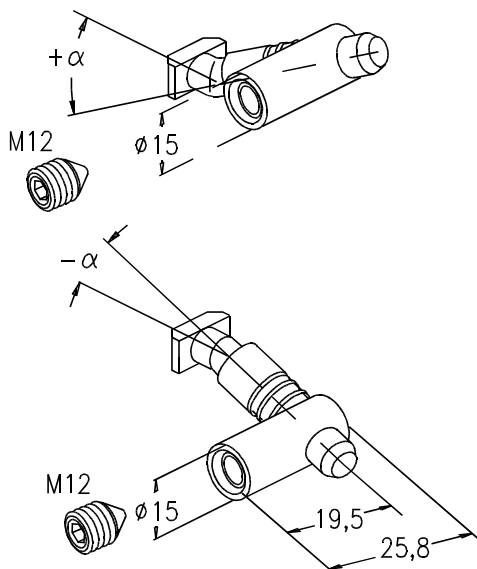
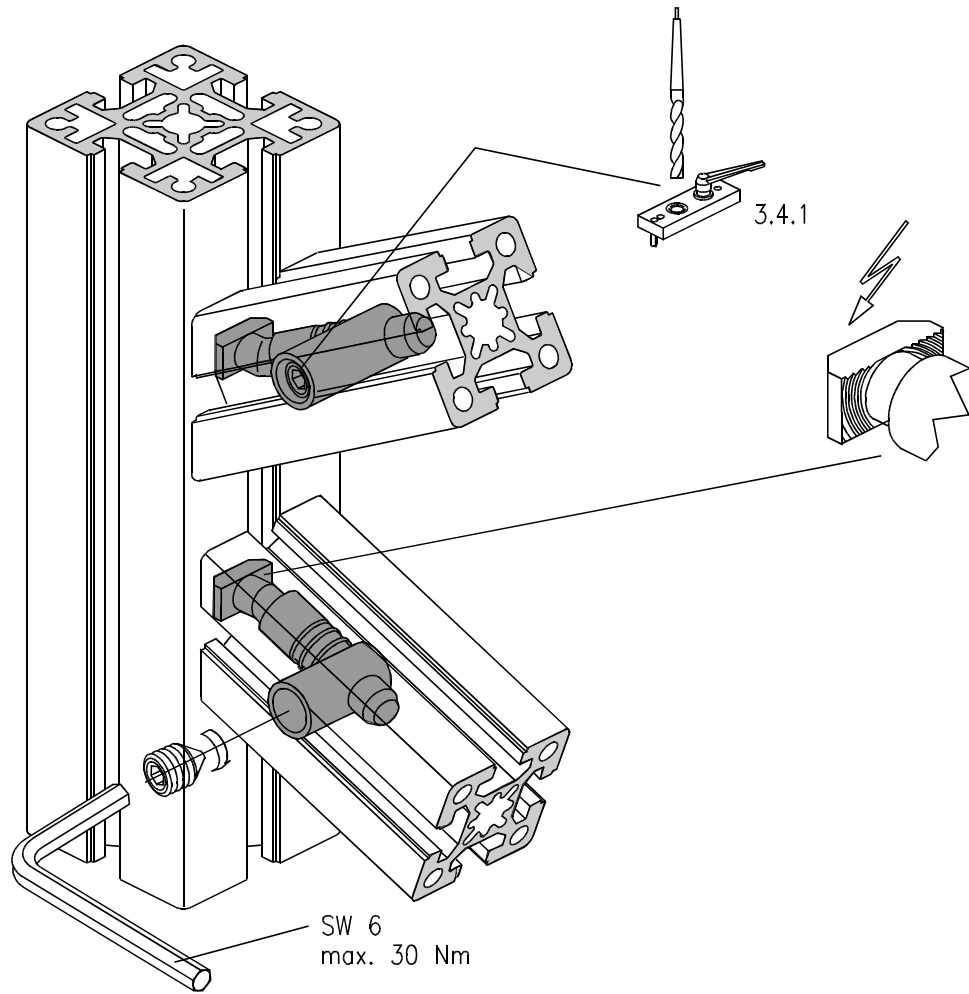


Verbindergrundtyp, T-Stück 90° verdreht  
 Right-angle connector, "T"-head turned 90°  
 Raccordement rectangulaire, "T"-tete tournant 90°  
 Raccordo di base rettangolare, pezzo a T tornito a 90°  
 Conexion rectangular, "T"-cabeza vuelta 90°

1156

Stahl verzinkt \* galvanized steel \* acier galvanisé \*  
 acciaio zincato \* acero cincado

Standardverbinder  
 Standard connectors  
 Raccordement standard  
 Raccordi standard  
 Conexion standard

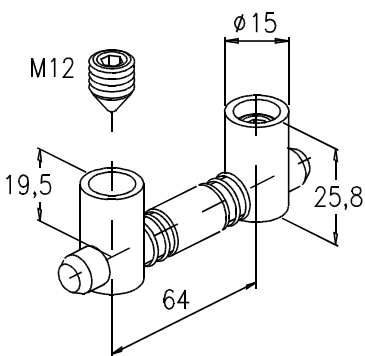
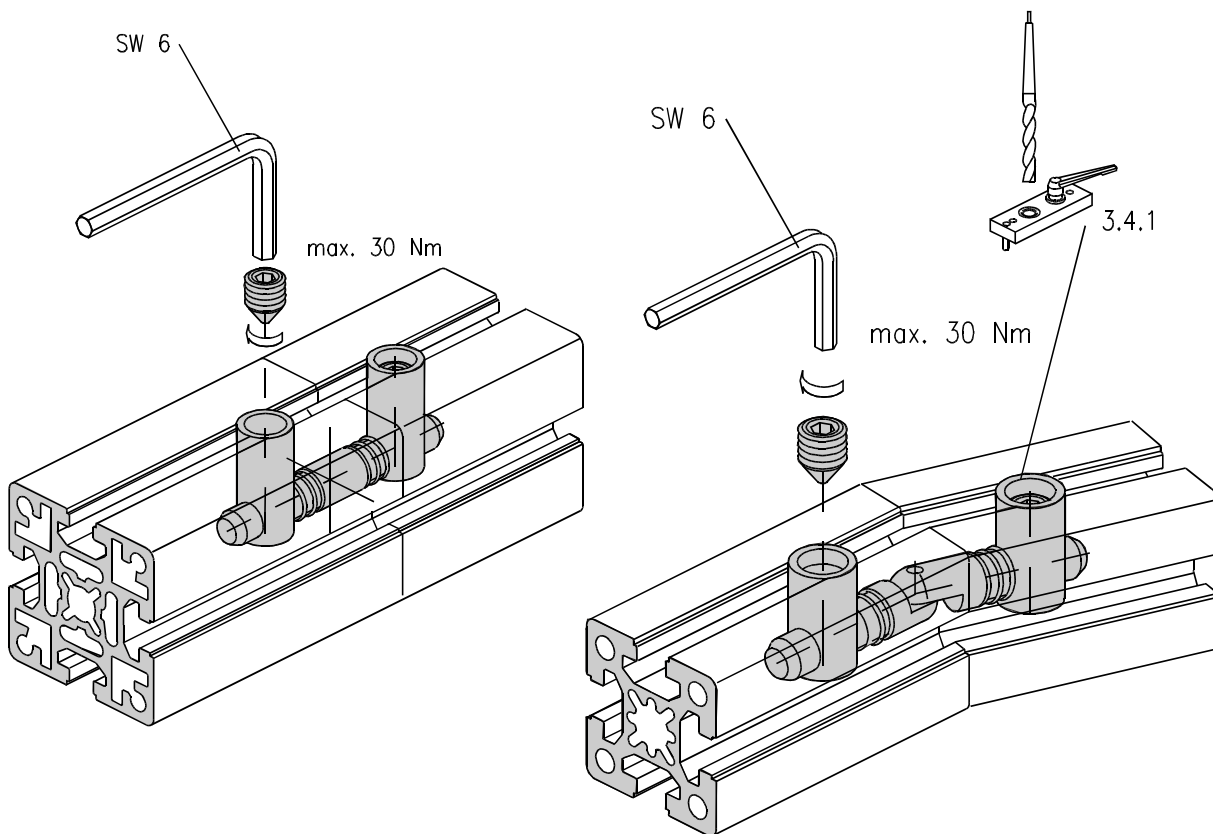


Schrägverbinder  
 Angled connectors  
 Raccordement imeliné  
 Raccordi inclinati  
 conexion inclinada

$\alpha +15^\circ$	1157
$\alpha +30^\circ$	1158
$\alpha +45^\circ$	1159
$\alpha -15^\circ$	1160
$\alpha -30^\circ$	1161
$\alpha -45^\circ$	1162

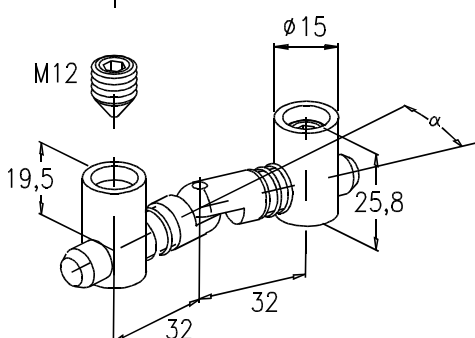
Stahl verzinkt \* galvanized steel \* acier zingué  
 acciaio cincato \* acero cincado

Standardverbinder  
 Standard connectors  
 Raccordement standard  
 Raccordi standard  
 Conexion standard



Profilverlängerung, gerade  
 Extender, straight  
 Rallonge droite  
 Prolungamento del profilato destro  
 Prolongacion derecho

1163

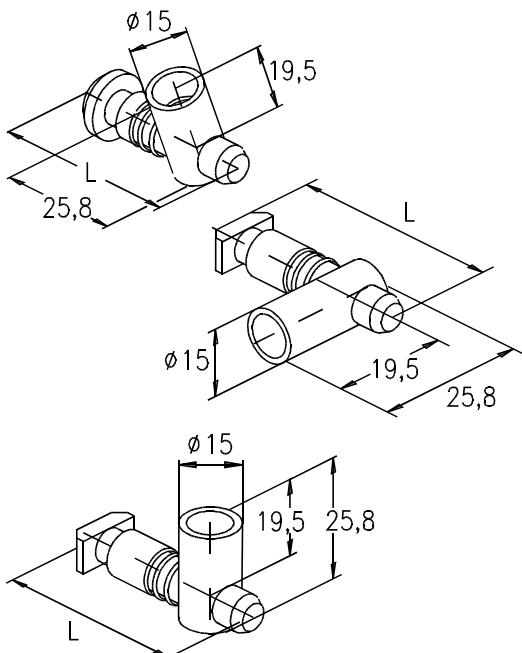
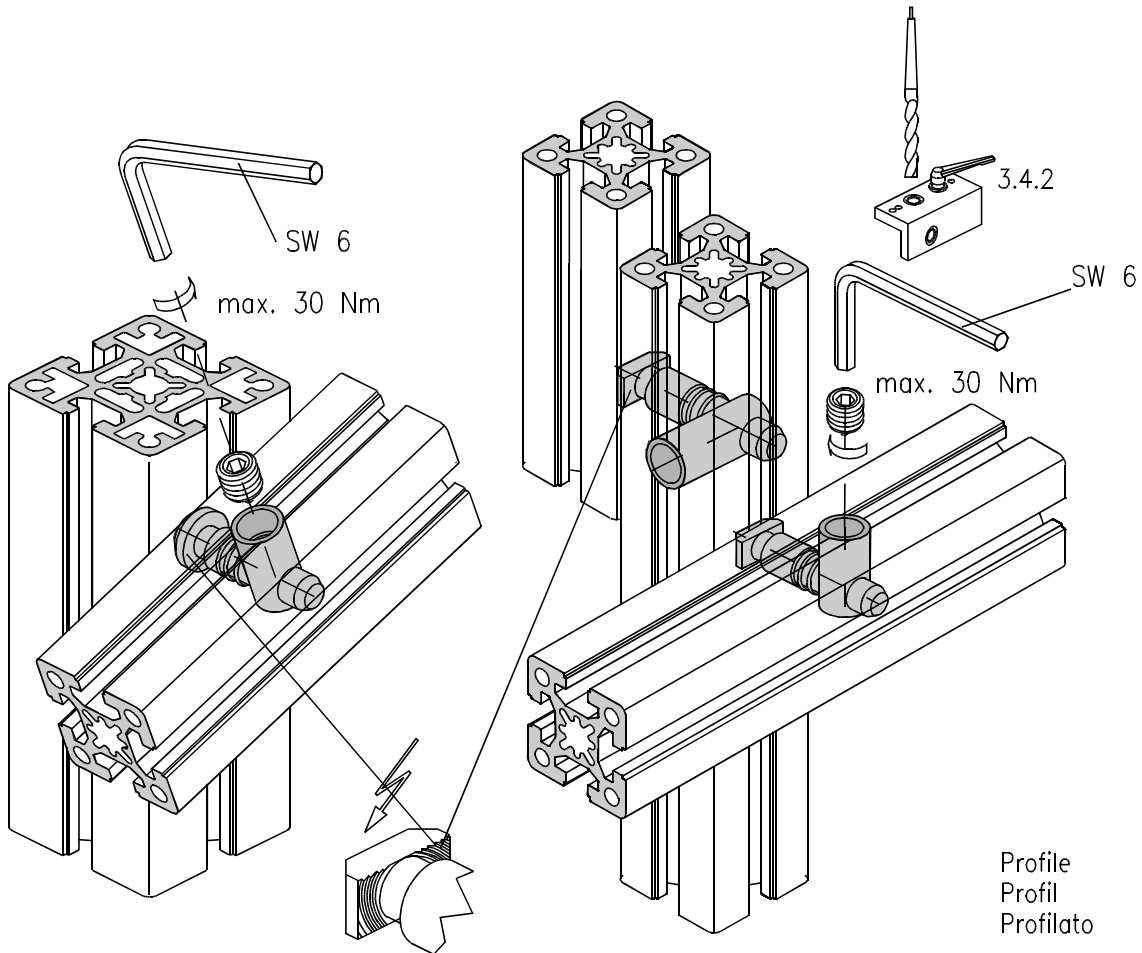


Profilverlängerung, variabel ( $\alpha = 90^\circ - 270^\circ$ )  
 Extender, variable angles ( $\alpha = 90^\circ - 270^\circ$ )  
 Rallonge a angles varies ( $\alpha = 90^\circ - 270^\circ$ )  
 Prolungamento del profilato variabile angolo ( $\alpha = 90^\circ - 270^\circ$ )  
 Prolongacion para angulos varios ( $\alpha = 90^\circ - 270^\circ$ )

1164

Stahl verzinkt \* galvanized steel \* acier zingué  
 acciaio zincato \* acero cincado

Standardverbinder  
 Standard connectors  
 Raccordement standard  
 Raccordi standard  
 Conexion standard



Parallelverbinder  
 Parallel connector  
 Raccordement parallèle  
 Raccordo parallelo  
 Conexion paralelo

Parallelverbinder, T-Kopf  
 Parallel connector, "T"-head  
 Raccordement parallèle, tête en "T"  
 Raccordo parallelo, pezzo a "T"  
 Conexion paralelo, cabeza de "T"

Parallelverbinder, T-Kopf 90° verdreht  
 Parallel connector, "T"-head turned 90°  
 Raccordement parallèle, tête en "T" tournant 90°  
 Raccordo parallelo, pezzo a "T" tornito a 90°  
 Conexion paralelo, cabeza de "T" vuelta 90°

Stahl verzinkt \* galvanized steel \* acier zingué  
 acciaio zincato \* acero cincado

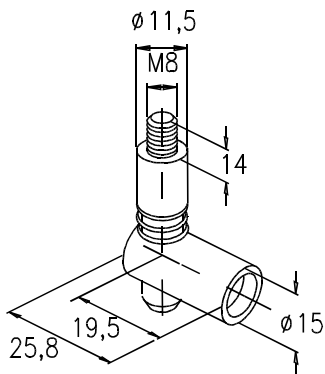
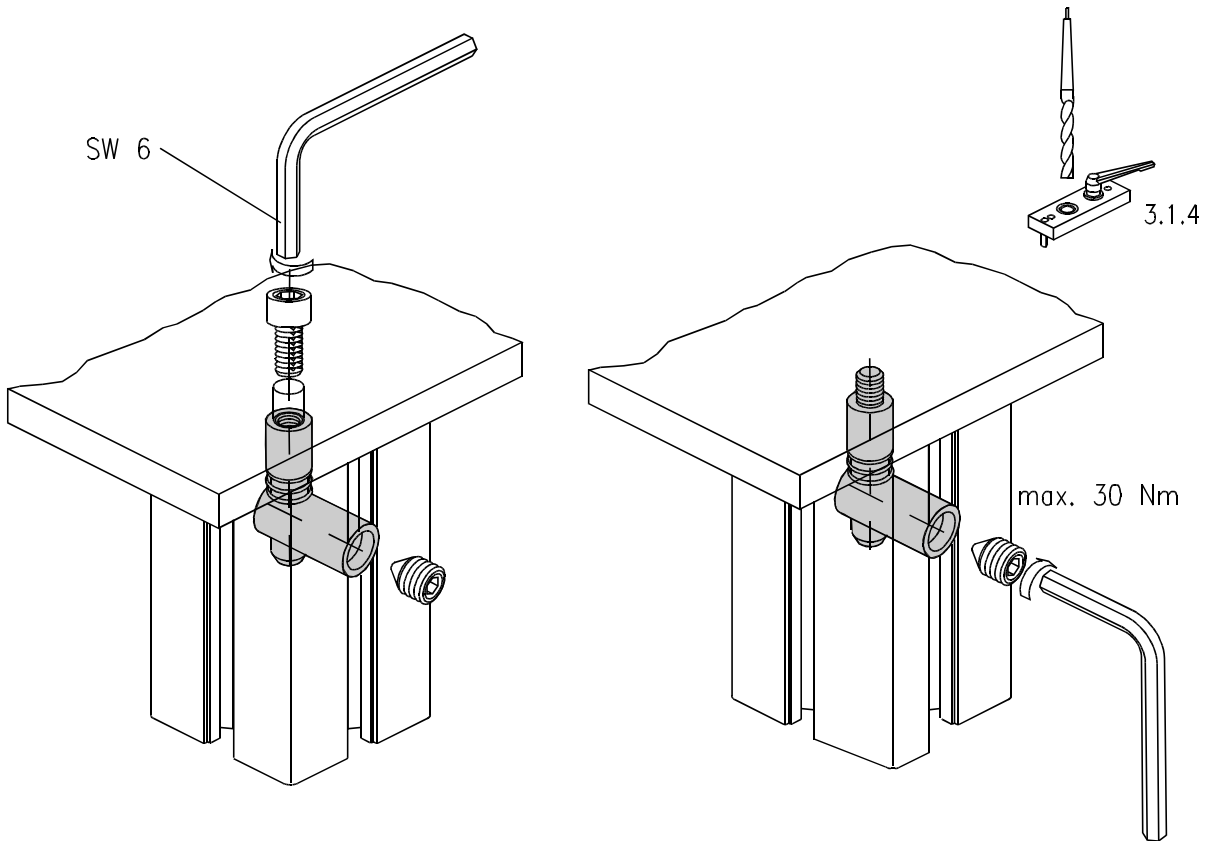
Profil  
 Profil  
 Profilato

45 mm	60 mm
1624	1627
L=47 mm	L=50,5 mm

1625	1628
------	------

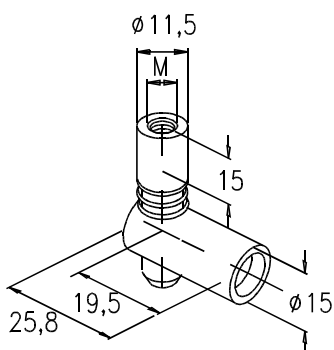
1626	1629
------	------

Standardverbinder  
 Standard connectors  
 Raccordement standard  
 Raccordi standard  
 Conexion standard



Aussengewinde-Verbinder  
 Connector with outside thread  
 Raccordement avec filet extérieur  
 Raccordo con filettatura esterna  
 Conexion con rosca exterior

M8 1166



Innengewinde-Verbinder  
 Connector with inside thread  
 Raccordement avec filet intérieur  
 Raccordo con filettatura interna  
 Conexion con rosca interior

M6 1167

M8 1168

M10 1169

Stahl verzinkt \* galvanized steel \* acier zingué  
 acciaio zincato \* acero cincado